

# ABLE 80 Series Ground Power Units



- Solid State (static) GPU.
- 25KVA, 45KVA & 60KVA models.
- Heavy Duty IGBT Based Design.
- Simple Controls with Digital Display.
- Stationary, Semi-Stationary or Cart.
- All-weather Cabinet with Cable Stowage.
- Global Input Voltages and Frequencies.
- Compact and Easily Manoeuvrable.
- Near silent in operation.

## Flexible, Proven Package:

The new ABLE-80 series static GPUs provide an ultra compact and cost-effective way of supplying 400Hz ground power. The latest “ABLE series” converter topology is built in to a tough, all-weather cabinet, with an array of optional fittings to suit individual applications. ABLE-80 GPUs are suitable for the direct connection to a wide range of passenger jets, turboprops and helicopters. They are equally comfortable as maintenance supplies within the hangar, or permanently connected in plant room applications.

## Durable, Simple to use:

Simple in operation with large On/OFF buttons controlling the outputs, easy to see in dim light and with no need to take gloves off. There is a front mounted emergency stop. An input circuit breaker is mounted on the rear of the GPU. An illuminated digital panel meter indicates the output parameters at all times.

Models are available as “stationary”, “semi-stationary, or in cart form. Cable stowage is available (optionally) on top of the GPU, as well as at the rear of the hand-pull cart model and the heavy duty trailer. Input and output cables may be ordered in different lengths, according to requirement or the aircraft connectors may be panel mounted on the GPU. Alternatively the GPU may be permanently hard-wired.



*Clear and simple control panel with multi-functional digital display*

## Minimal Maintenance, Environmentally Friendly and with Low Ongoing Cost of Ownership:

The ABLE-80 series models are fully solid-state and require minimal ongoing maintenance. There are pollution free in operation and therefore may be used internally and qualify for use even in the worlds most pollution conscious airports. They have very low acoustic and EMI radiation. Combine this with a very long design life and the ongoing cost of ownership is amongst the lowest in the industry.

## Technical Data Overleaf:



*Aircraft connectors may be panel mounted on the GPU.*

**INPUT:**

- Input Voltage..... 400 or 440VAC , 3-Phase (no neutral)
- Input Frequency..... 50 or 60Hz, +/- 6%
- Input Current Harmonics..... IEC 1000-3-4
- Input Power Factor..... >0.98
- Rectifier Inrush..... 3 second walk-in, max current < In x 1.0
- Input Connections..... 4-core cable or hard wire.
- Input Protection..... Circuit breaker

**400Hz AC OUTPUT:**

- Output Voltage..... 200V + N or 208V + N, 3-phase, Galvanically isolated.
- Voltage Regulation ..... +/- 2%
- Output Waveform ..... Sinusoidal, THD <3%
- Output Frequency ..... Quartz generated, 400Hz +/- 0.1%
- Overload Capacity ..... 110%/10mins, 150%/20 seconds, 200%/ 5 seconds.
- Ratings Options ..... 25, 45 and 60KVA

**ENVIRONMENT & EQUIPMENT:**

- Ambient Temperature Range..... -10 to 40 deg C (+50C by request)
- Humidity..... <90%, non-condensing
- Altitude..... All specifications quoted at < 2000m above sea level
- Acoustic Noise..... < 55dBA @ 1m
- Overall Efficiency..... 85 to 93% model dependant
- EMC..... EN55-022B, EN61000-6-2/4,VDE0875 (optional MIL-STD 461)
- Cabinet..... Zinc plated steel, powder coated RAL 7032 or option, IP54
- Hours Run Meter ..... Yes
- Meter..... Digital readout for AC output I, V, Hz, Kw, pf
- Wheels..... 160mm Rubber tyres (hand-pull cart)
- Stationary Variant..... Supplied on 460mm high steel frame for permanent mounting.
- Semi-stationary Variant ..... Supplied on 80mm castors with brakes.
- Hand-pull cart ..... Hand-pull cart with extra stowage, 165mm wheels.
- Anti-condensation ..... Heaters fitted according to application.
- 28VDC output ..... See “Combo” series GPU•

Hand-pull cart model:

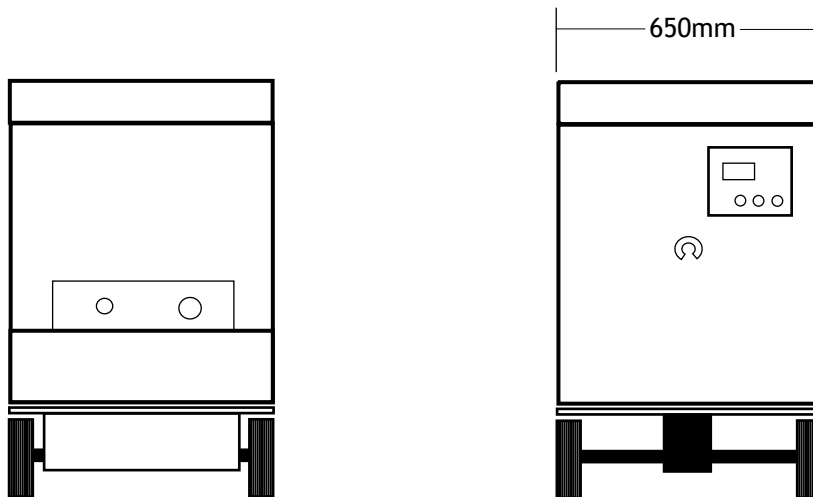
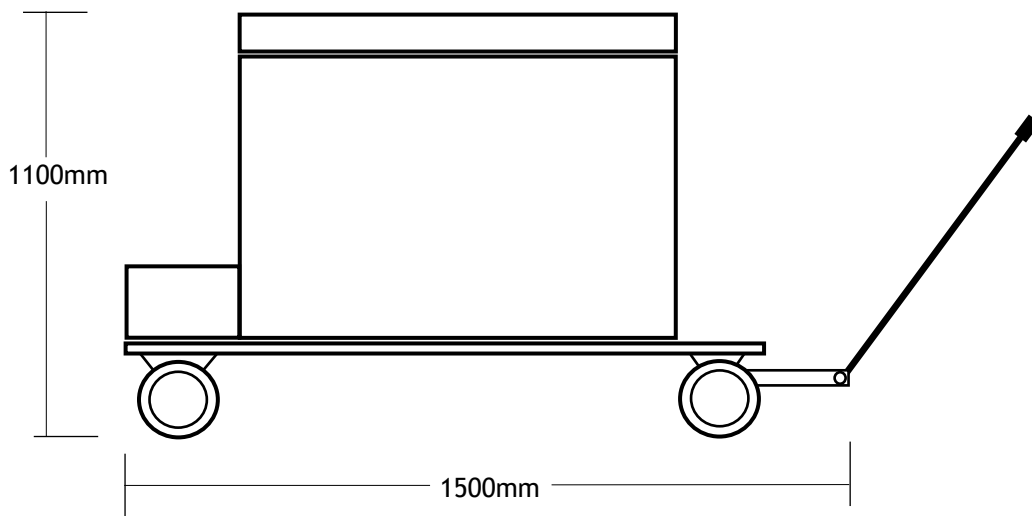


Twin output “combo” series (400Hz + 28VDC)



ABLE80 60KVA + 600A on heavy duty trailer.

Failsafe power converters benefit from more than 35 years of manufacturing experience and cover a wide range of models for the aerospace, naval, industrial and military sectors. In 2020 Failsafe became part of Rulix Industries Ltd.



Cable stowage is provided both on top and at the rear of the hand-pull cart.